

GARAGE DOOR

www.eswindows.com

ES-PGD3040



System Description

- Captured glass garage door
- Heavy duty rollers
- Steel hinges and accessories
- Reinforced profile options available
- Heavy duty spring mechanism.

Features

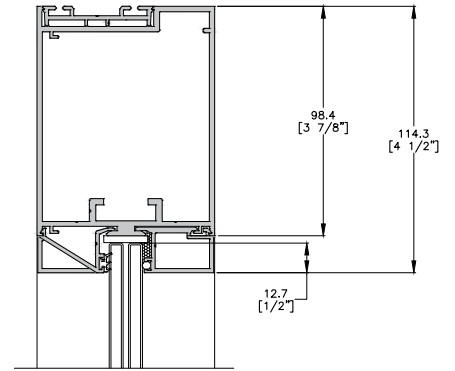
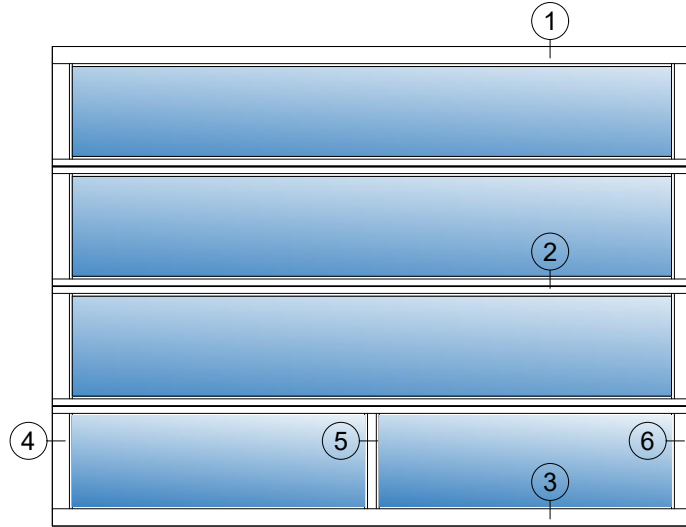
- Automatic motorized operation .
- Aluminum and glass finishes available.
- Elegant stylish design

Test

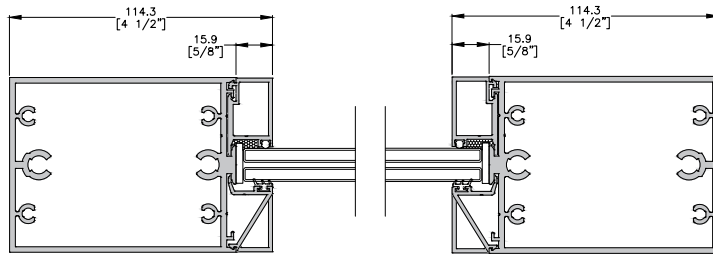
Design load: +55/-65 psf.

This data corresponds to the highest values for the system simulations and is subject to change.

System details

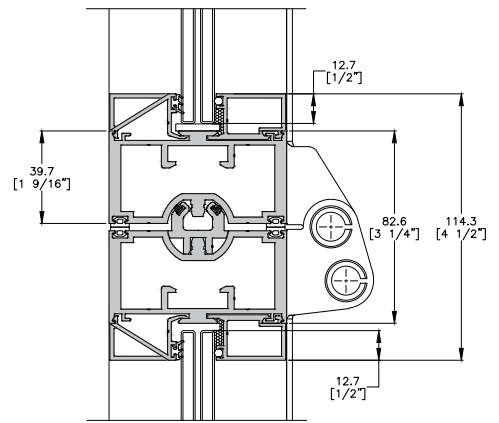


1 TOP RAIL

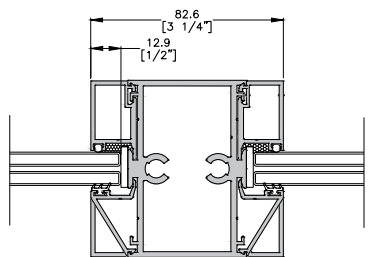


4 LEFT VERTICAL

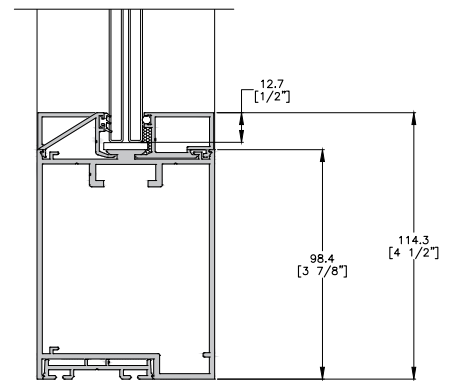
6 RIGHT VERTICAL



2 HORIZONTAL INTERMEDIATE

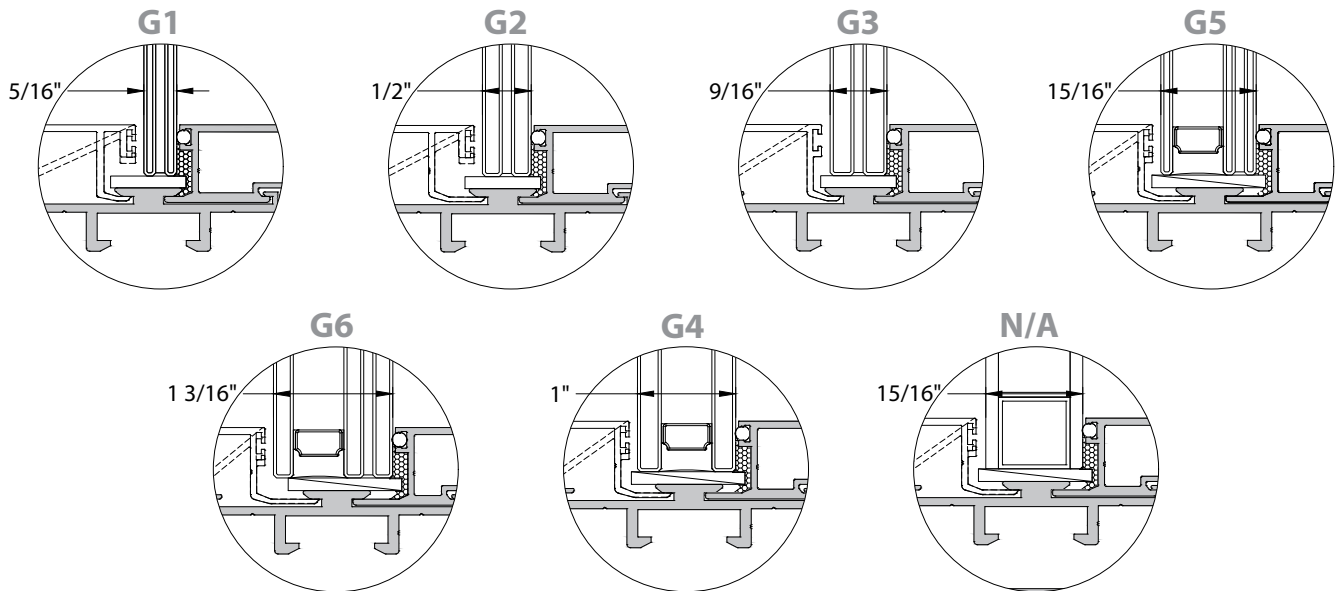


5 VERTICAL INTERMEDIATE



3 BOTTOM RAIL

Glazing options



- G1: 1/8" HS + 0.09" INTERLAYER + 1/8" HS
 G2: 3/16" HS + 0.09" INTERLAYER + 3/16" HS
 G3: 1/4" HS + 0.09" INTERLAYER + 1/4" HS
 G4: 1/4" HS + 1/2" SPACER + 1/4" HS
 G5: 1/8" HS + 1/2" SPACER + 1/8" HS + 0.09" INTERLAYER + 1/8" HS
 G6: 3/16" HS + 1/2" SPACER + 3/16" HS + 0.09" INTERLAYER + 3/16" HS
 N/A: 1/4" PANELEX + 1/2" SPACER + 1/4" PANELEX

GLASS FINISH: PAINTED, SERIGRAPHY & DIGITAL PRINTED.

For more information please contact TECNOGLASS or visit www.tecnoglass.com

Aluminum

ALLOY 6063-T6
 ALLOY 6063-T5

For more information about aluminum and finishes consult ALUTIONS®.

Measurements

Maximum sizes:

For >144" width: 150" height.
 For <144" width: 173 3/8" height.

Sealant

APPROVED SILICONE SEALS:

WEATHERPROOFING SILICONE:

Used to seal profile unions to avoid air and water infiltration.

STRUCTURAL SILICONE:

Besides acting as a sealant it is capable to support high loads. This silicone is commonly used to support the glass in facades and hurricane resistant products.